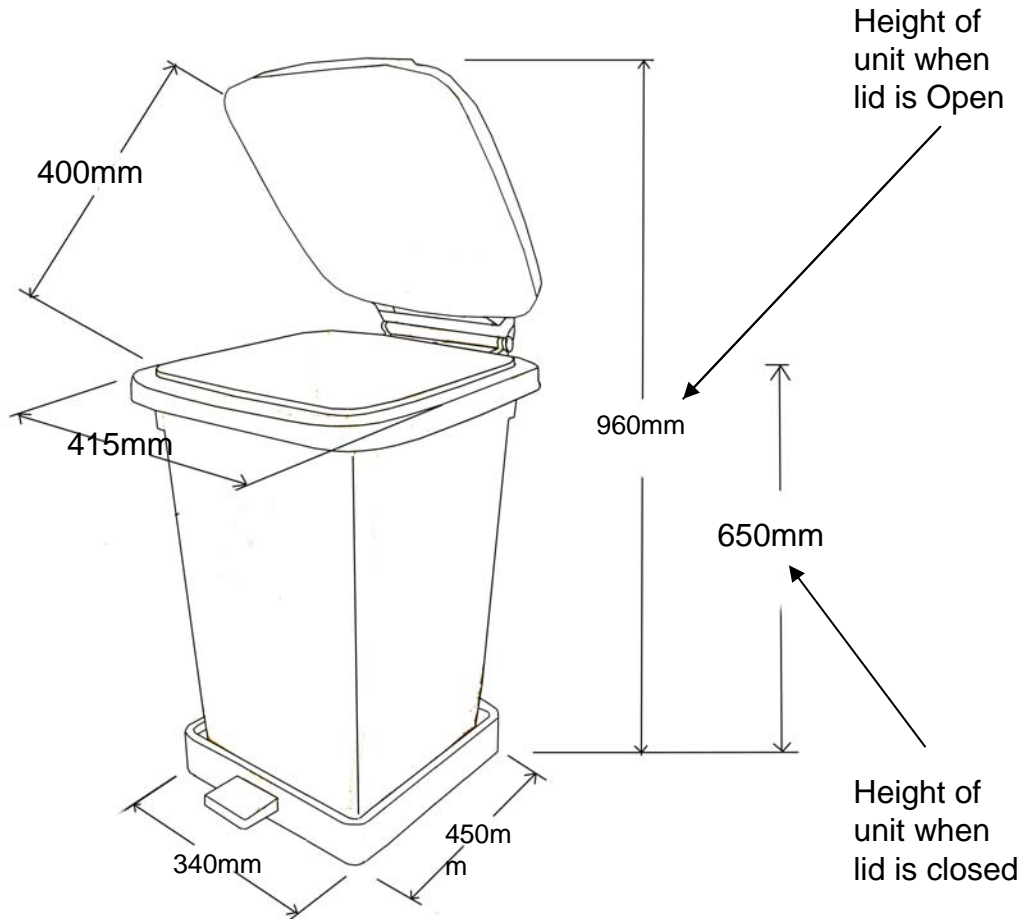


Pedal Post 50 Litre Rectangular Bin, Waste Segregation System (Specifications)

Packaging size per unit

Carton Size: 460mm x 460mm 650mm

Weight: 6 KGS



Height Specifications Open and Closed Lid :

Smaller in height than our 50 litre cylindrical model by 100mm for ease of fitting under or beside hand wash basins. Height Closed 650mm, Height Open 960mm

Pedal Post Rectangular Bin and Cylindrical Bin Models

35 Litre Cylindrical Bin model

Height Lid Closed 550mm
Height Lid Open : 870mm

50 Litre Rectangular Bin model

Height Lid Closed 650mm
Height Lid Open : 960mm

50 Litre Cylindrical Bin model

Height Lid Closed 760MM
Height Lid Open : 1070MM