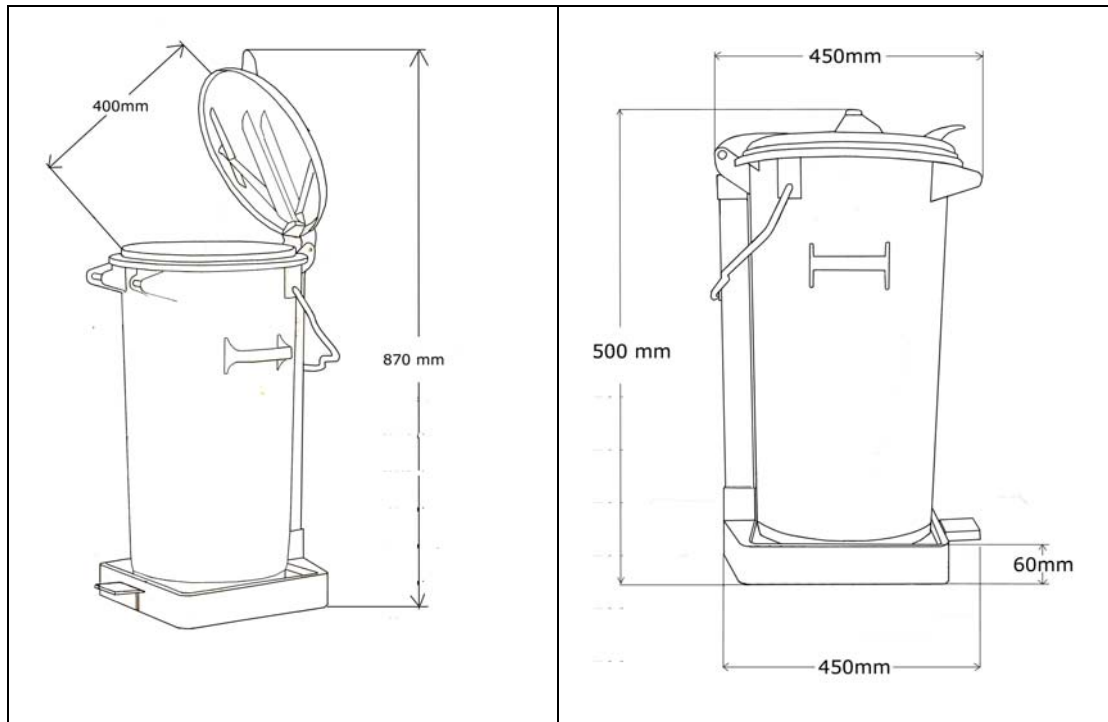


# Pedal Post Container System Specifications Drawing

## 35 Litre Model

Base outside measurements, Width 340mm, Depth 450mm



## 50 Litre Model

