

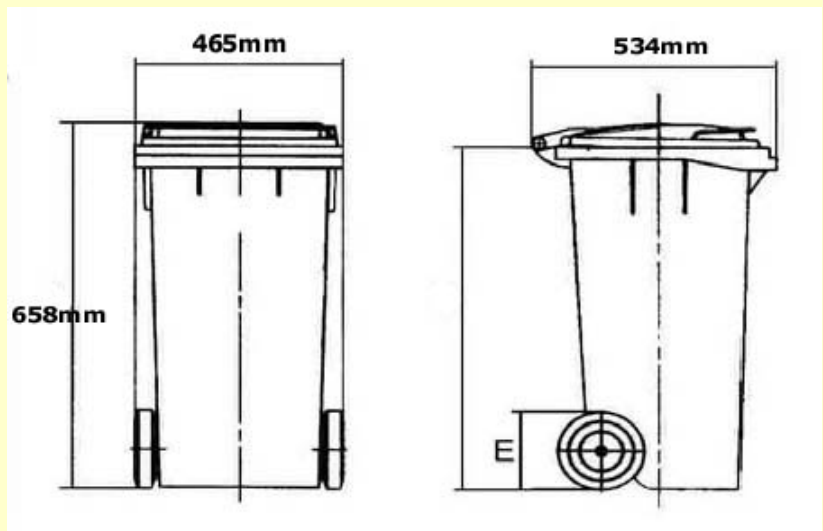
KDL Products

60 Litre Wheelie Bin

With Extendable handle for ease of movement
for Clinical & General waste



Dimensions



Example of colour codes to suit your needs

Clinical waste

General waste

2/15 Distribution Ave Molendinar QLD 4214

Tel.: 07 55391704

Fax: 07 55391709

E-mail: sales@kdlproducts.com

Web Site: www.kdlproducts.com